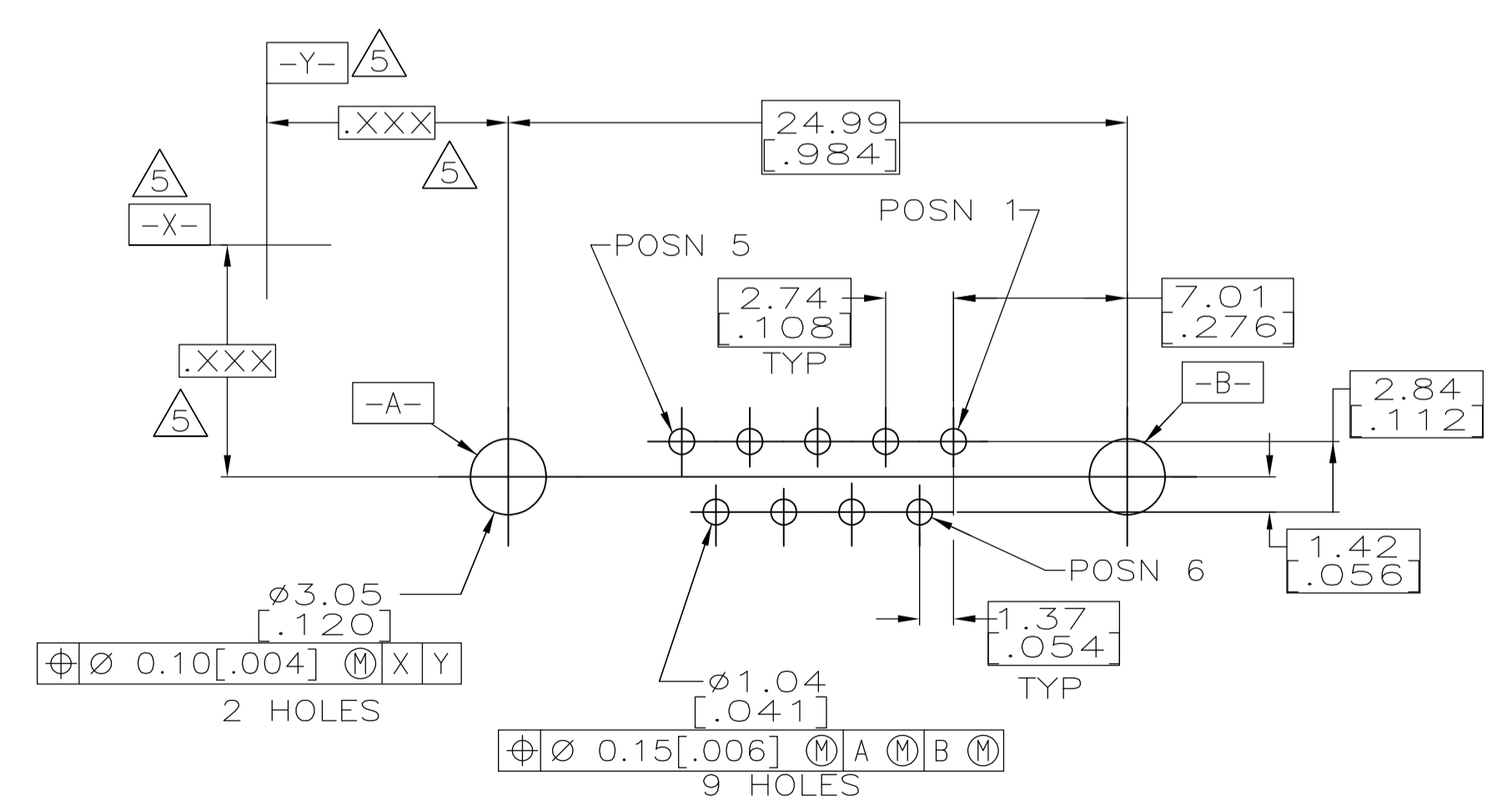
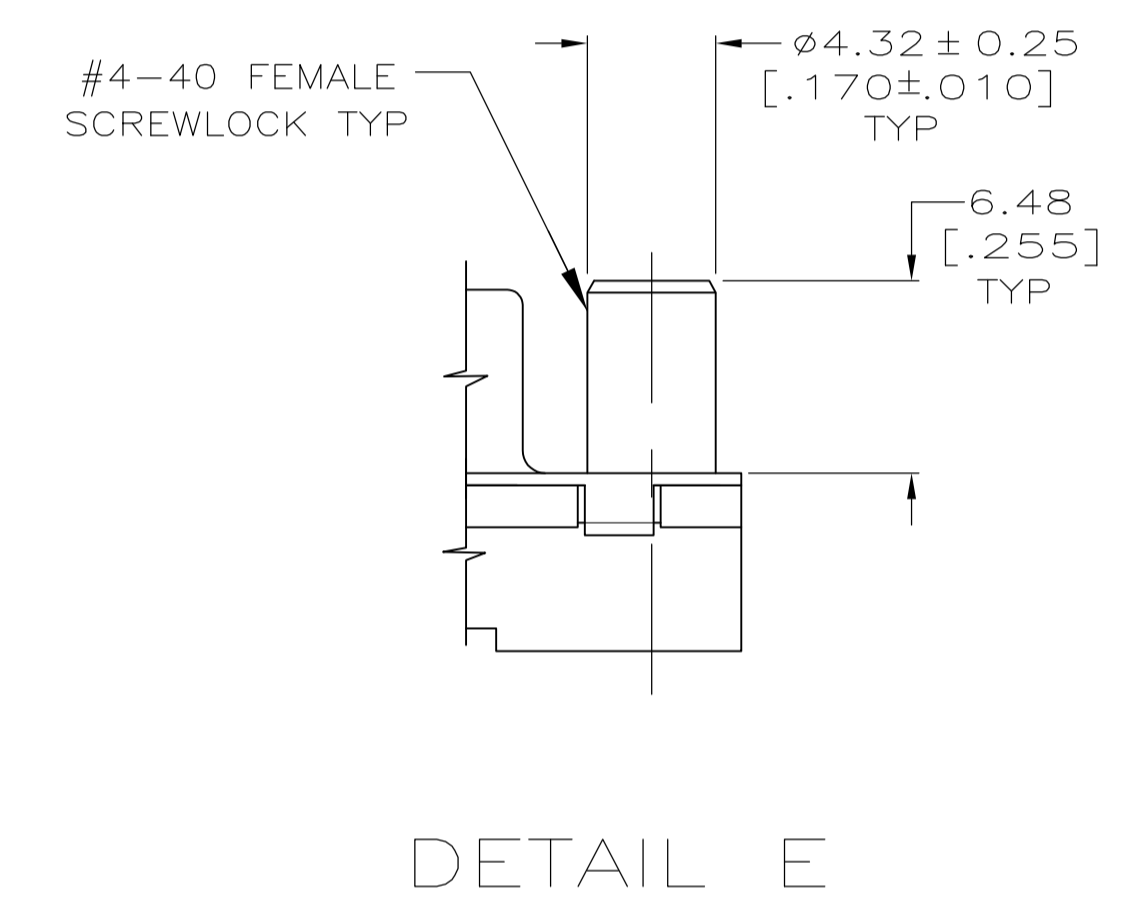
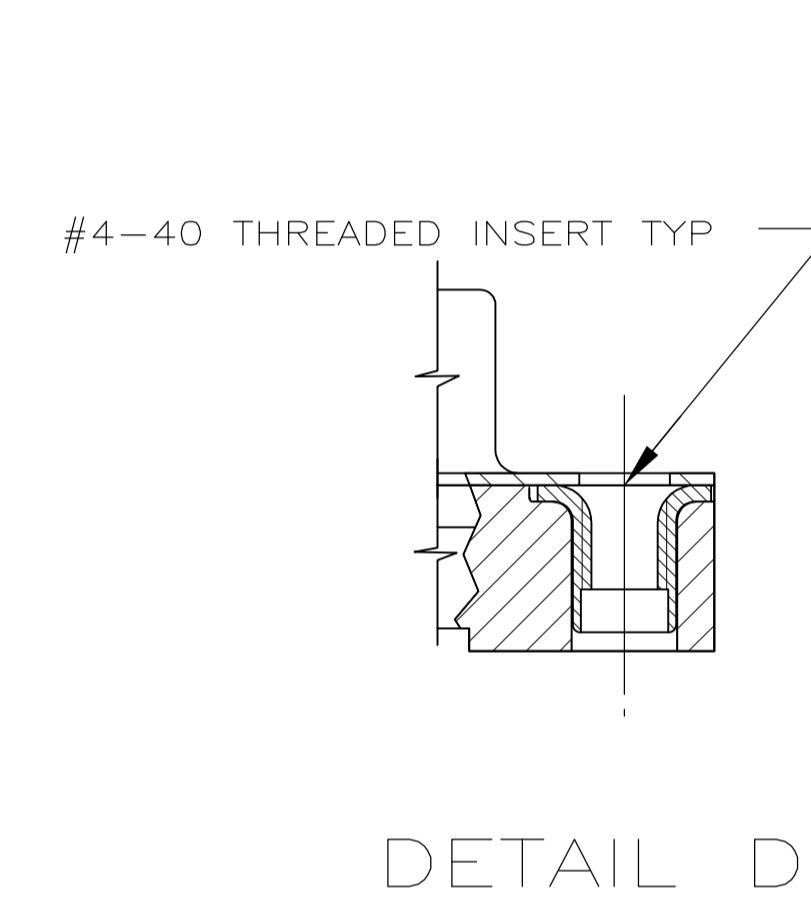
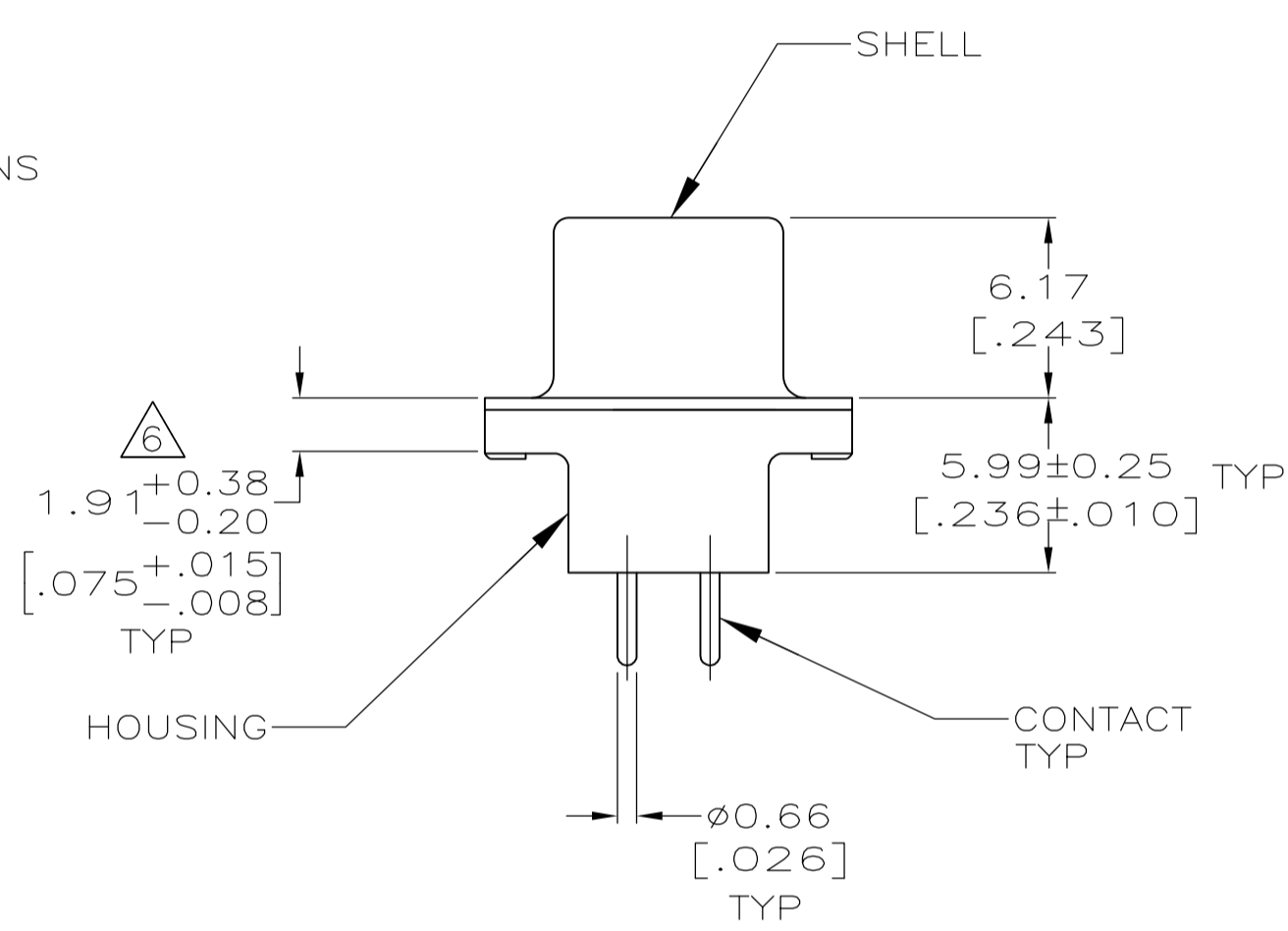
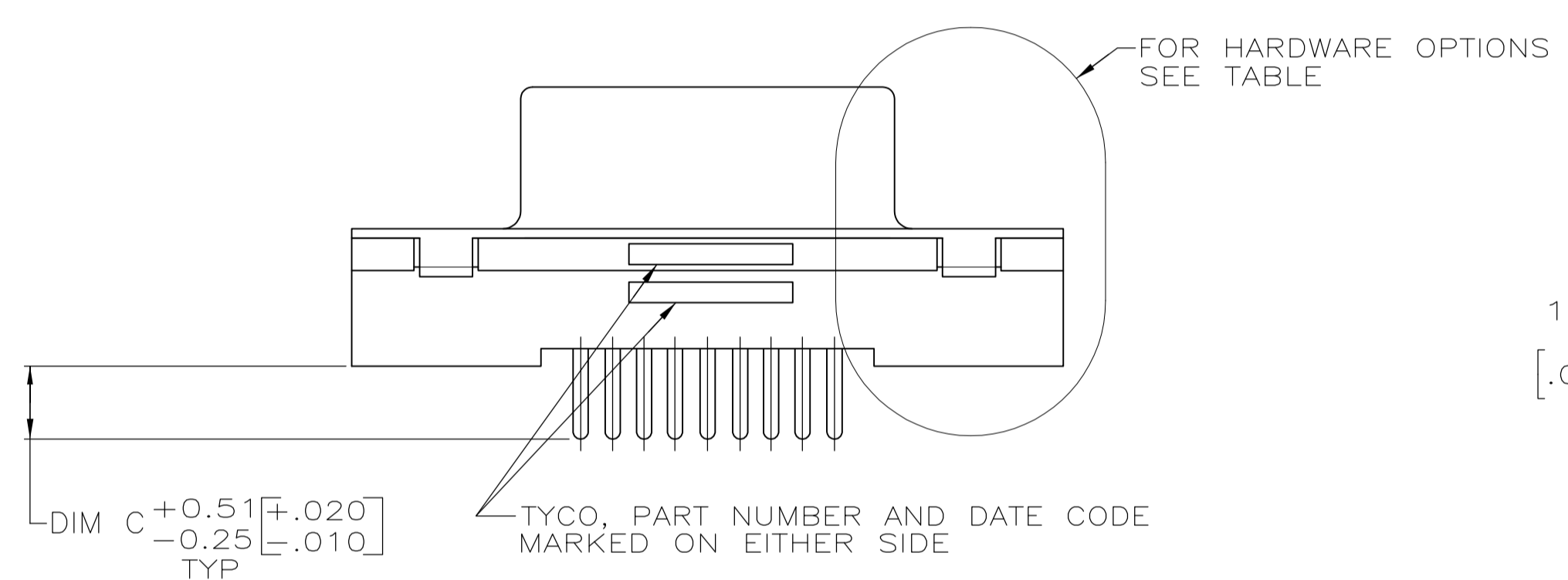
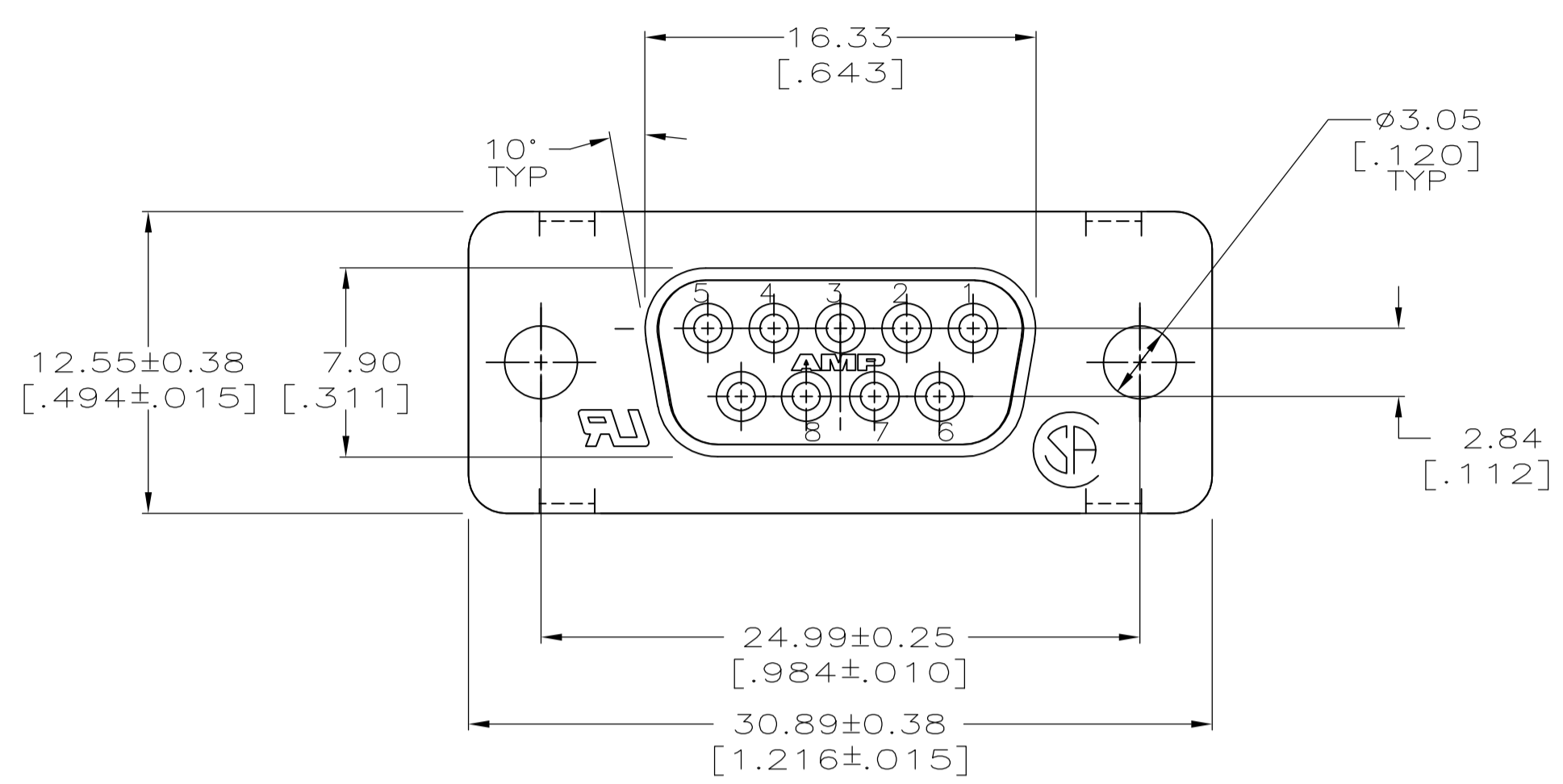


LOC	DIST	REVISIONS				
GP	00	REV	DESCRIPTION	DATE	OWN	APVD
A1		REVISED PER	ECO-11-004835	11MAR11	RK	HMR



RECOMMENDED PC BOARD LAYOUT
CONNECTOR SIDE OF PC BOARD

- ⚠ MATERIAL:
HOUSING: POLYESTER, UL 94V-0 RATED, BLACK.
SHELL: CARBON STEEL.
CONTACTS: PHOS. BRONZE.
SCREWLOCKS: ZINC
INSERTS: BRASS
- ⚠ FINISH:
SHELL: 5.08um [.000200] MIN TIN OVER 2.54um [.000100] MIN COPPER.
CONTACTS: SEE TABLE.
- ⚠ GOLD FLASH FOR A LENGTH OF 2.54 [.100] MIN FROM MATING END, 2.54um [.000100] MIN TIN ON OPPOSITE END, OVER 1.27um [.000050] MIN NICKEL.
- ⚠ 0.76um [.000030] MIN GOLD FOR A LENGTH OF 2.54 [.100] MIN FROM MATING END, 2.54um [.000100] MIN TIN ON OPPOSITE END, OVER 1.27um [.000050] MIN NICKEL.
- ⚠ DATUMS AND BASIC DIMENSIONS ESTABLISHED BY CUSTOMER.
- ⚠ 2.79 [.110] MAX IN SHELL TAB CLINCH AREAS.

W/FEMALE SCREWLOCKS PER DETAIL E	4	4.32 [.170]	1-5747150-6
	4	3.18 [.125]	1-5747150-4
	3	3.18 [.125]	1-5747150-3
W/THREADED INSERTS PER DETAIL D	4	4.32 [.170]	5747150-9
	4	3.18 [.125]	5747150-8
	3	3.18 [.125]	5747150-7
WO/FEMALE SCREWLOCKS OR THREADED INSERTS AS SHOWN	4	4.32 [.170]	5747150-4
	4	3.18 [.125]	5747150-2
HARDWARE OPTIONS	CONTACTS FINISH	C	PART NO

THIS DRAWING IS A CONTROLLED DOCUMENT.		DWG: B. MCMASTER 18MAY05	STE TE Connectivity	
DIMENSIONS: MM [INCHES]		CHK: S. BOLASH 18MAY05	NAME: M. WALMSLEY 18MAY05	
TOLERANCES UNLESS OTHERWISE SPECIFIED:		PRODUCT SPEC: 108-40025		
0 PLC ± -		APPLICATION SPEC: 114-40023		
1 PLC ± -		SIZE: A1		
2 PLC ± 0.13 [.005]		CAGE CODE: 00779		
3 PLC ± -		DRAWING NO: 5747150		
4 PLC ± -		RESTRICTED TO: -		
ANGLES ± -		SCALE: 4:1		
MATERIAL: 1		SHEET: 1 OF 1		
FINISH: 2		REV: A1		